

 **storm**  
Hand Dryer<sup>2</sup>

**HYGIENIC  
EXTRAVAGANT  
ERGONOMIC**

**10 - 15  
SECOND  
DRY TIME**

**ADA COMPLIANT  
HEPA FILTER  
ION+ COATING  
LED SENSOR**



**ULTRA SERIES** Hand Dryers

**PALMER  
FIXTURE**

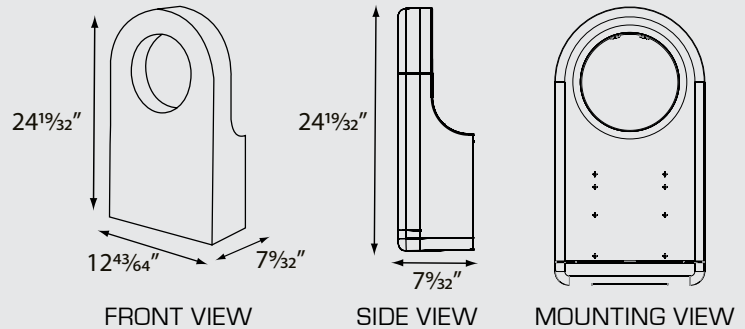
# ULTRA SERIES Hand Dryers from Palmer Fixture

## storm Hand Dryer<sup>2</sup>



### TECHNICAL SPECIFICATIONS

<b>MATERIAL</b>	Polycarbonate ABS (ION+)
<b>MOTOR TYPE</b>	1HP, 350-700W
<b>THERMAL PROTECTION</b>	Thermostat shut-off at 275F (135C) Thermal cut-off at 288F (142C)
<b>OPERATING AIRFLOW</b>	19,476 LFM, Adjustable
<b>AIR OUTPUT TEMP</b>	140F (60C) Ambient Temp. 68F (20C)
<b>SOUND LEVEL</b>	65dB to 78dB MAX
<b>ISOLATION</b>	Class 1
<b>DRIP PROOF</b>	IP23
<b>WATTS</b>	1600 W (700 W with heater off)
<b>RPM</b>	11,000-20,000, Adjustable
<b>MOUNTING</b>	Surface
<b>WEIGHT</b>	23.8 lbs



### MOUNTING HEIGHTS from bottom of dryer to floor

MEN	26-1/6"
WOMEN	23-5/64"
CHILDREN (AGES 4-10)	9-59/64"
CHILDREN (AGES 11-16)	15-5/64"
DISABLED	13-5/8"

### DIMENSIONS

12-43/64" W x 24-19/32" H x 7-9/32" D

### WEIGHT

23.8 lbs

### iStorm EXTRAS

<b>FILTER</b>	SP098099-002
<b>BACKSPASH KIT</b>	SP098099-050
<b>BACKSPASH PLATE</b>	SP098099-051

### PRODUCT FEATURES

- Incredible 10-15 second dry time
- Ergonomically designed, this reduces uncomfortable bending
- Water absorbing ceramic backspash prevents wet floors and water damage
- Super 3-layer HEPA filter eliminates over 99% of airborne bacteria
- Adjustable airspeed for custom settings to maximize efficiency
- Antibacterial coating reduces the ability for micro-organisms to grow
- On/Off switch for heater so air temp is appropriate for all climates
- 5 Year Limited Warranty

### COLOR OPTIONS:

**08** Platinum    **16** Black    **17** White

Ph: 800.558.8678  
Ph: 920.884.8698  
Fax: 920.884.8699  
info@palmerfixture.com



www.palmerfixture.com

Palmer Fixture  
P.O. Box 10887  
Green Bay, WI 54307  
www.stormdryers.com